

VELA 4

SPECIFICATION SHEET
STATIC WHITE

ARCHITECTURAL CYLINDERS WITH TRANSFORMATIVE PERFORMANCE

Housing

Diameter : Ø4.2" | Height : 10.3" | Weight : 3.8 lbs

Material

Housing : High Pressure Die-Cast Aluminum, PC Shroud

Lens : Clear polycarbonate

Power Input

15W, 25W | 120-277V

Lumen Output

1,530 lm (15W), 2,400 lm (25W)

Dimming

Superior 0-10V : dims to 1%, dims to dark

TRC : Line-voltage phase control, dims to 1% (120V only)

DALI : Dims to 10%

Color Quality

CRI 85

Rated Life

> 100,000 Hours (L70)

Finish



Black



White

Color Temperature



3000K



3500K



4000K

Optics



10°



25°



35°



55°



Wide

Mounting



Stem
Mount



Adjustable
Cable



Cord
Mount



Surface
Mount

Warranty

5 Year limited warranty

Listing



All The Performance You Need In One Family

High performing 4-inch aperture cylinder with delivered lumen package of 1,530 – 2,400 lm.

Available with aluminum and polycarbonate shroud accessories.

Suitable for general illumination for a wide variety of project applications.



METEOR

meteor-lighting.com

SPECIFICATION

PROJECT NAME

DATE

CATALOG #

QUANTITY

The product configurator function on this page works only with the latest version of Chrome or Adobe Acrobat Reader.

<input type="text" value="VA4"/>	MODEL	VELA 4		
<input type="text"/>	WATTAGE	15 15W	25 25W	
<input type="text"/>	CCT / CRI	308 3000K / CRI 85	358 3500K / CRI 85	408 4000K / CRI 85
<input type="text" value="UNV"/>	VOLTAGE	UNV 120 – 277V		
<input type="text"/>	DIMMING	SPV Superior 0-10V dims to 1%, dims to dark	TRC¹ Line-voltage phase control, dims to 1%	DALI DALI dims to 10%
<input type="text"/>	TYPE	STD Standard Cylinder FRS12 Frosted PC Shroud 12" ALS16 Aluminum Shroud 16"	PCS12 Polycarbonate Shroud 12" FRS16 Frosted PC Shroud 16"	PCS16 Polycarbonate Shroud 16" ALS12 Aluminum Shroud 12"
<input type="text"/>	BEAM ANGLE*	10 10° 55 55°	25 25° WD² Wide	35 35°
<input type="text"/>	FINISH	BLK Black	WHT White	
<input type="text"/>	MOUNTING	SUM Surface Mount ST4 Stem 4ft	CM10³ Cord Mount 10ft AD10 Adjustable Cable 10ft	ST2 Stem 2ft SAD10 Sloped Adjustable Cable 10ft
<input type="text"/>	ACCESSORIES	CON^{4,5,6} Conical Lens FCS⁸ Field Cut Stem Adapter Kit NX¹¹ NX Radio Module Standalone Module	EMP Remote Emergency Pack AWN⁹ Lutron Athena Wireless Node Standalone Module NXC¹² NX Radio Module Canopy	CT⁷ Conduit Mount AWNC¹⁰ Lutron Athena Wireless Node Canopy

CLEAR FORM

¹ TRC is only compatible with 120V
² WD option reduces delivered lumens by ~20%
³ CM10 is not compatible with PCS, FRS, ALS, EMP
⁴ CON is not compatible with STD
⁵ CON comes in the same color as the selected type and is not compatible with FRS12
⁶ CON option reduces delivered lumens by ~15% (~20% with FRS16)
⁷ CT is not compatible with SUM, CM10
⁸ FCS is not compatible with SUM, CM10, AD10, SAD10
⁹ AWN is not compatible with TRC
¹⁰ AWNC is not compatible with TRC, SUM, CM10
¹¹ NX is not compatible with TRC, DALI
¹² NXC is not compatible with TRC, DALI, SUM, CM10
* Beam Angle options are not compatible with PCS, FRS, ALS

TECHNICAL DETAILS

Electrical

- 1,530 lm (15W) , 2,400 lm (25W)
- Power Input : Universal (120-277V)
- Operating Temperature : -13°F~112°F
- Surge Protection : Built-in is 4KV
- Remote Emergency Pack : Philips Bodine BSL20B2UEK55C111

LED Features

- Color Temperature : 3000K, 3500K, 4000K
- CRI ≥ 85
- Long lasting LED luminaire tested under TM21 lumen maintenance L70 @ 100,000 Hrs

Optics

- Precision molded high transmittance clear lenses
- Beam Angle : 10°, 25°, 35°, 55°, WD

Advanced Dimming

- Superior 0-10V : dims to 1%, dims to dark
- TRC : Line-voltage phase control, dims to 1% (120V only)
- DALI : Dims to 10%

Warranty

- 5-year limited warranty

Housing

- Diameter : Ø4.2"
- Material: High Pressure Die-Cast Aluminum, PC Shroud
- Height :
Standard - 10.3"
Polycarbonate Shroud 12" & Frosted PC Shroud 12" - 15.5"
Polycarbonate Shroud 16" & Frosted PC Shroud 16" - 18.5"
Aluminum Shroud 12" - 15.5"
Aluminum Shroud 16" - 18.5"
- Weight :
Standard - 3.8 lbs
Polycarbonate Shroud 12" & Frosted PC Shroud 12" - 4.9 lbs
Polycarbonate Shroud 12" & Frosted PC Shroud 12" - 4.9 lbs
Aluminum Shroud 12" - 5.1 lbs
Aluminum Shroud 16" - 5.1 lbs

Mounting

- Stem Mount 2ft or 4ft
- Cord Mount 10ft
- Surface Mount
- Adjustable Cable Mount 10ft
- Sloped Adjustable Cable 10ft

Listing

- ETL Damp Location Listed
- FCC
- CE

PERFORMANCE SUMMARY*

STD (Standard)			
CCT/WATTAGE	3000K	3500K	4000K
15W	1,480lm	1,510lm	1,530lm
25W	2,320lm	2,370lm	2,400lm

*Beam Angle: 55° * Tolerance ±8%

ALS (Aluminum Shroud)			
CCT/WATTAGE	3000K	3500K	4000K
15W	1,240lm	1,250lm	1,260lm
25W	1,920lm	1,960lm	2,000lm

*Beam Angle: 55° * Tolerance ±8%

PCS (PC Shroud)			
CCT/WATTAGE	3000K	3500K	4000K
15W	1,300lm	1,310lm	1,350lm
25W	2,040lm	2,080lm	2,100lm

*Beam Angle: 55° * Tolerance ±8%

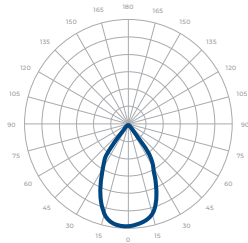
FRS (Frosted PC Shroud)			
CCT/WATTAGE	3000K	3500K	4000K
15W	1,110lm	1,120lm	1,160lm
25W	1,750lm	1,780lm	1,800lm

*Beam Angle: 55° * Tolerance ±8%

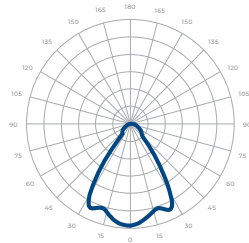
Current Consumption		
WATTAGE / VOLT	120V	277V
15W	0.14A	0.06A
25W	0.23A	0.10A

PHOTOMETRICS

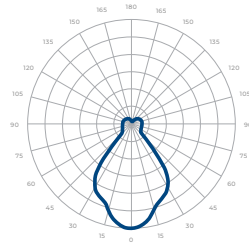
Below is a typical photometric representation of the Vela 4 fixture. Please download IES files to ensure exact photometric value.



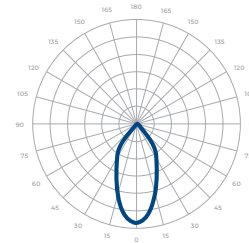
STD (STANDARD) 55°



PCS (POLYCARBONATE SHROUD)



FRS (FROSTED PC SHROUD)



ALS (ALUMINUM SHROUD)

COLOR FINISH

Black Finish



White Finish



ACCESSORIES

Polycarbonate Shroud



Frosted PC Shroud



Aluminum Shroud



Polycarbonate Shroud
With Conical Lens



Frosted PC Shroud
With Conical Lens

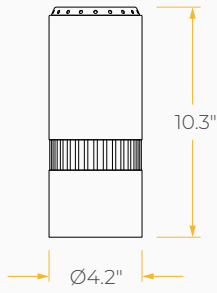


Aluminum Shroud
With Conical Lens

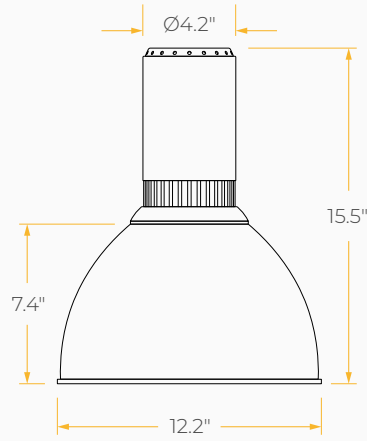


DIMENSIONS

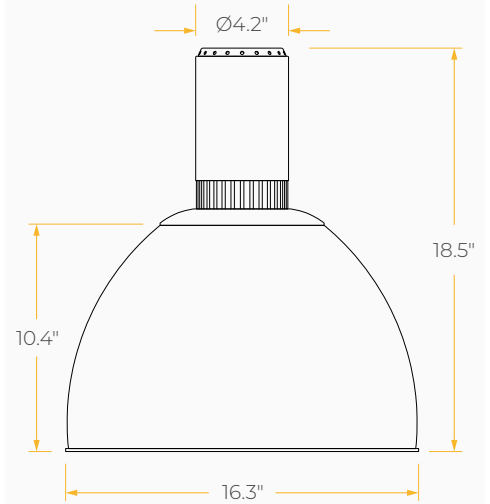
Standard Cylinder



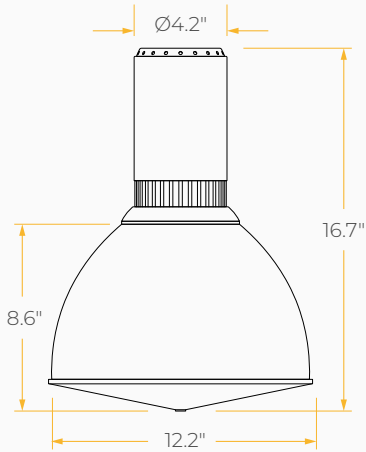
12" Shrouds



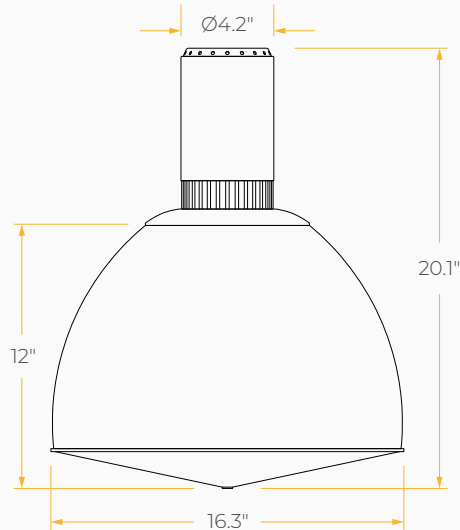
16" Shrouds



Conical Lens 12"

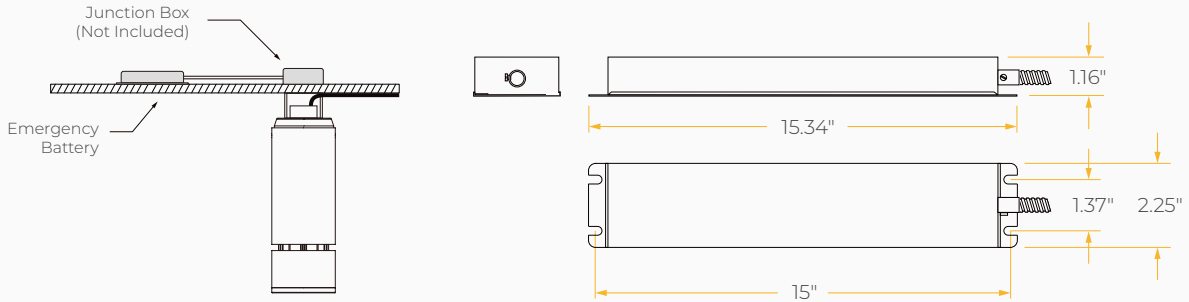


Conical Lens 16"

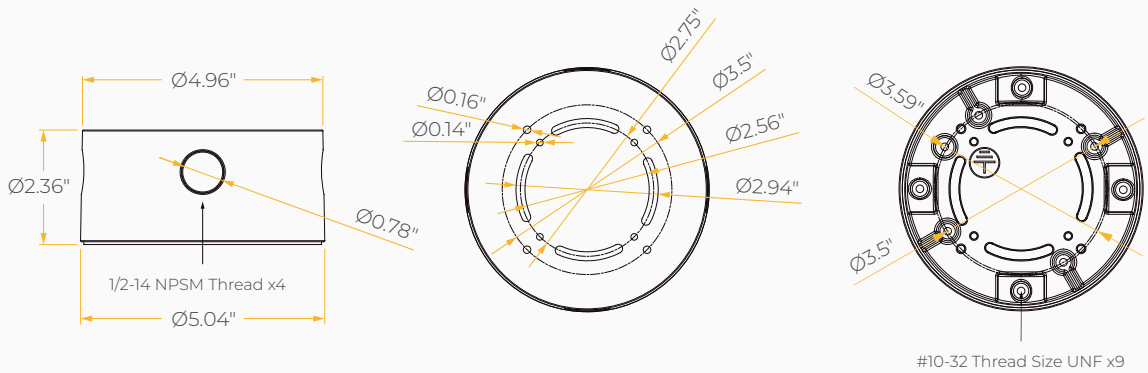


DIMENSIONS

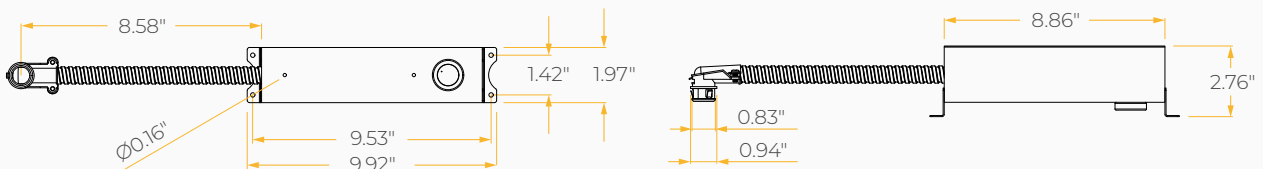
Remote Emergency Pack



Conduit Mount

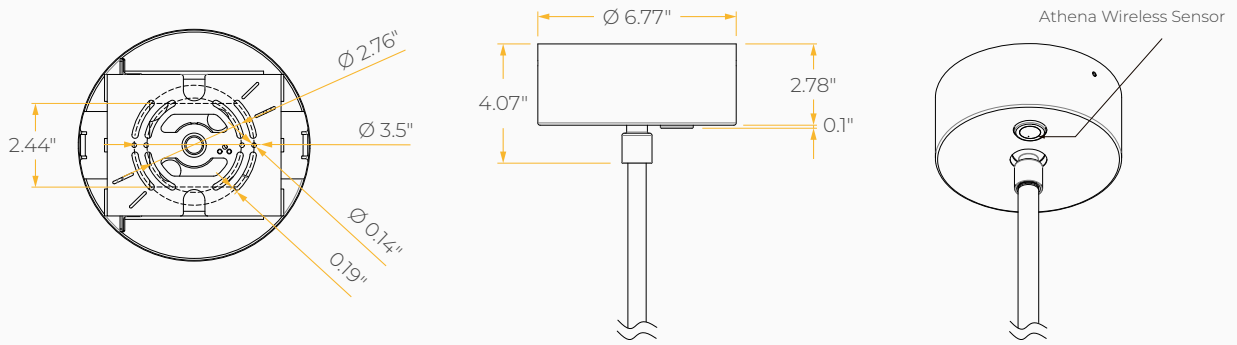


Lutron Athena Wireless Node / NX Radio Standalone Module

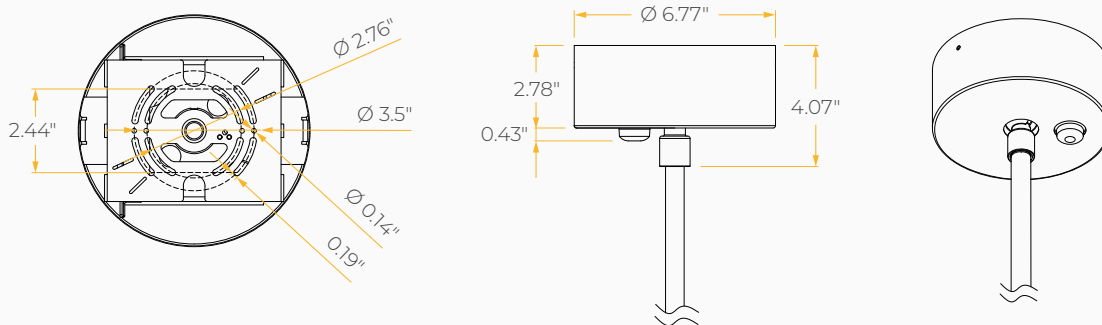


DIMENSIONS

Lutron Athena Wireless Node Canopy



NX Radio Node Canopy



MOUNTING OPTIONS*

*Junction Box not included

